

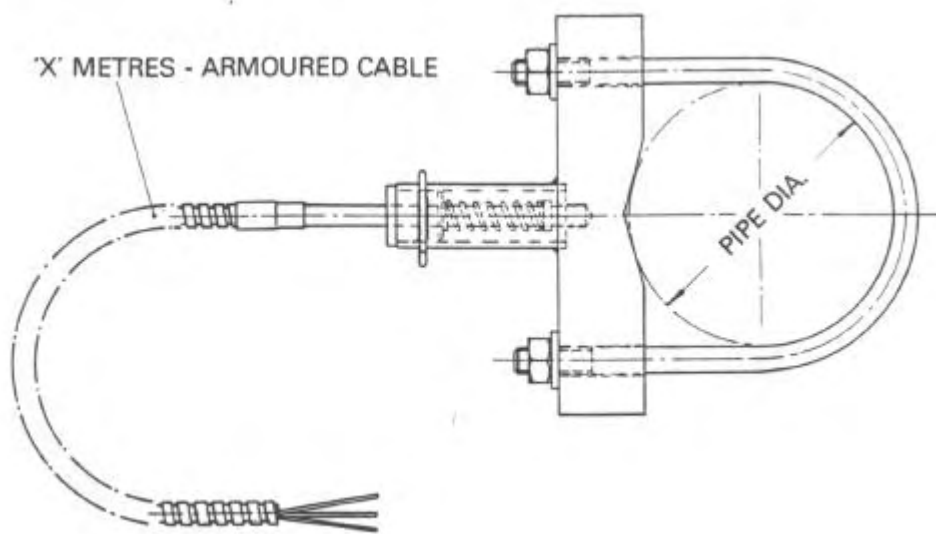
Surface Temperature Measurement

SENSOR TYPES

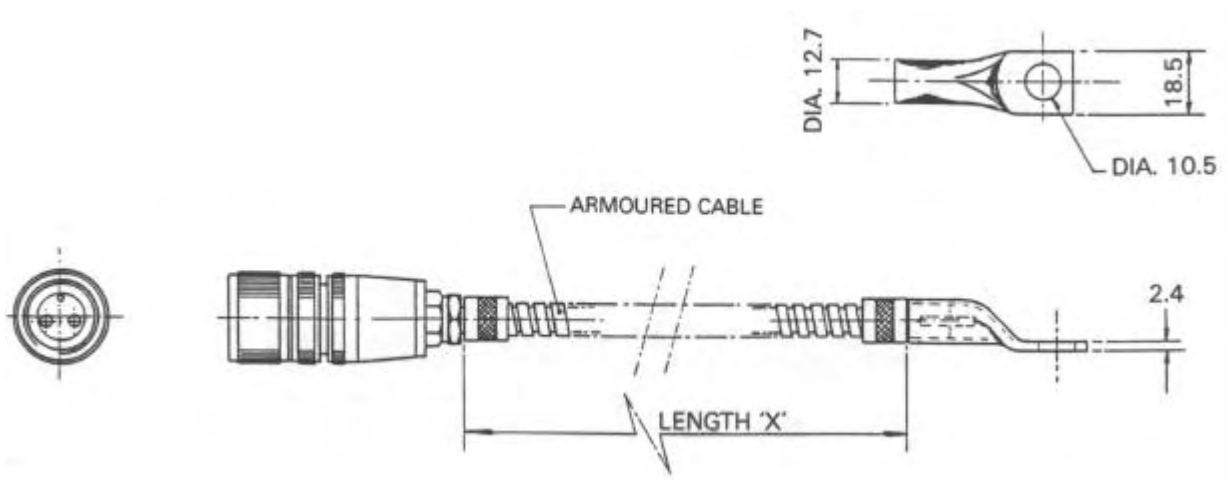
PLATINUM RESISTANCE
THERMOMETERS

THERMOCOUPLES TYPE K
J
T

U-BOLT TYPE HBS/1/707

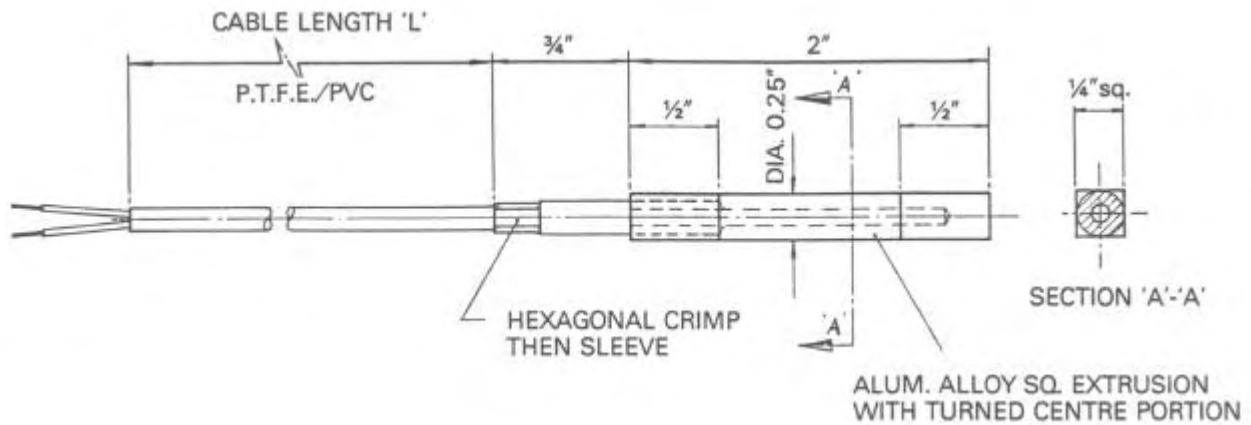


BOLT ON TYPE HBS/1/715

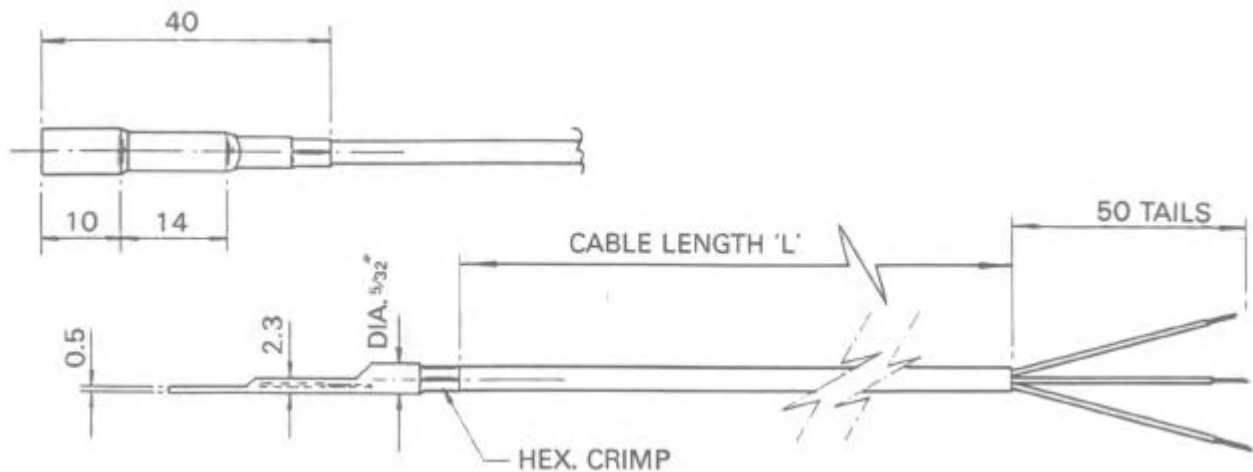


Surface Temperature Measurement

CLAMP ON TYPE HBS/1/119



SPOT WELD OR ADHESIVE HBS/1/732



SELF ADHESIVE PATCH TYPE HBS/1/733

