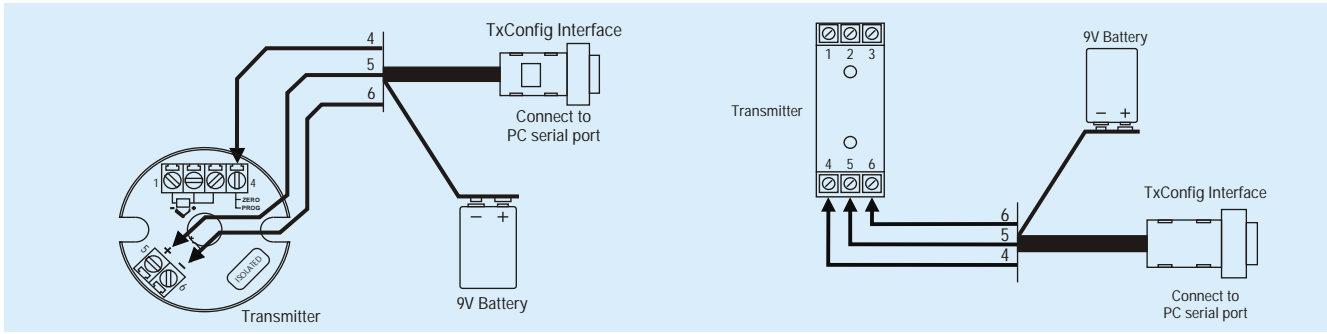
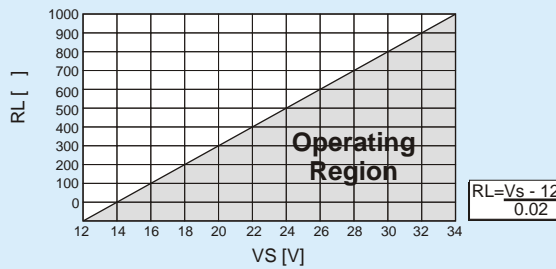




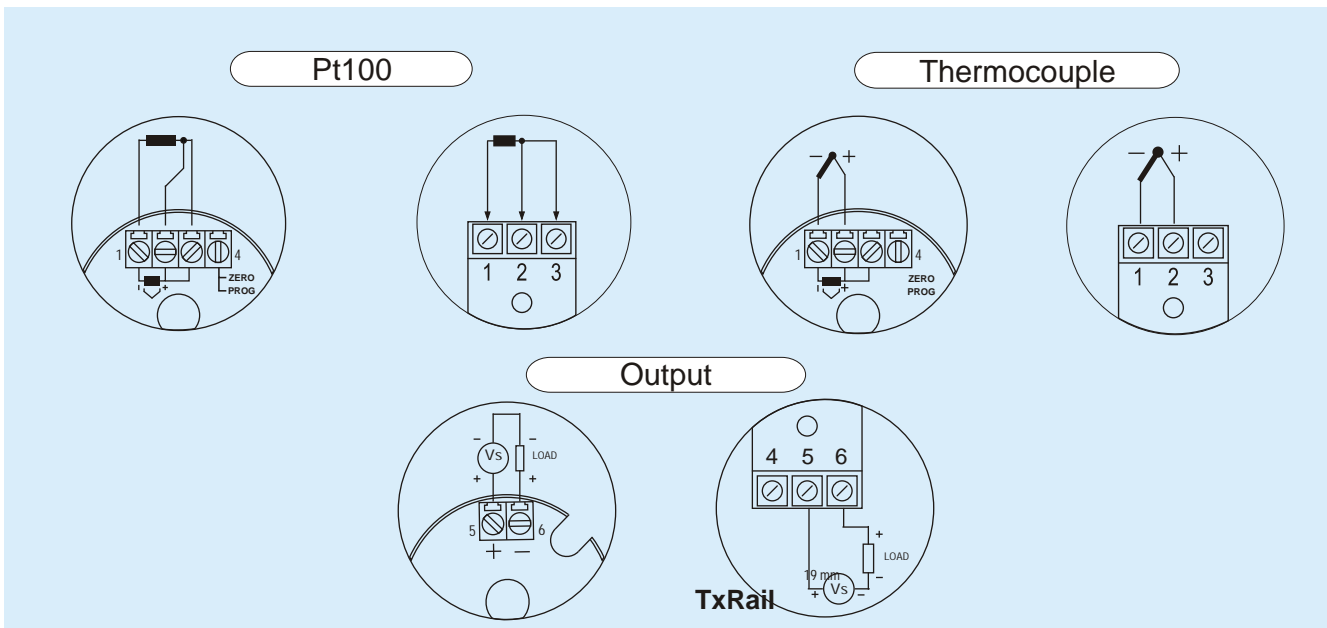
## TxConfig CONNECTIONS



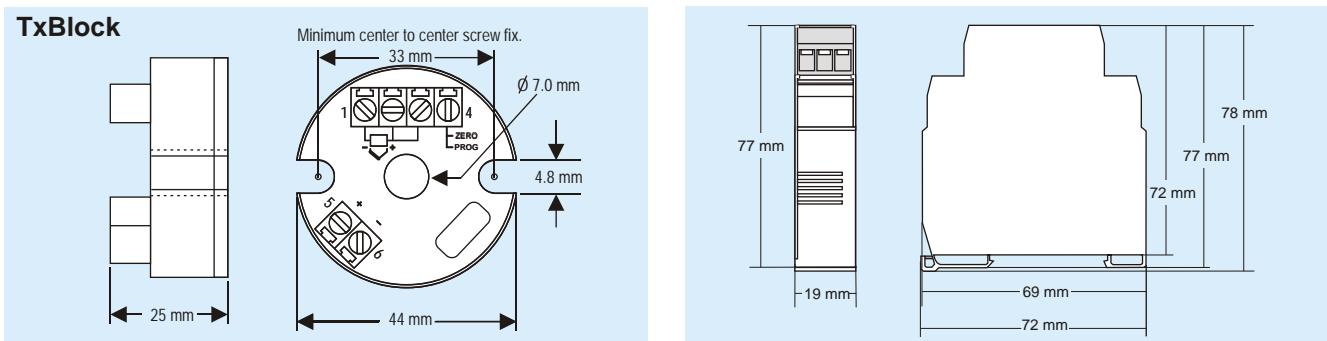
## LOAD & POWER SUPPLY



## ELECTRICAL CONNECTIONS



## DIMENSIONS



TRANSMITTERS