

Economical Large Digital displays -Grand-Intuitive Range



- *Low cost, attractive styling
- *Choice of case colours
- *Dual Alarms included as standard
- *RS422 Retransmission output
- *Remotely Scalable
- *Excitation supply included
- *Universal Power Supply
- *High noise immunity
- *Wall or suspension mounting
- *Units of measure label free on request
- *Coming soon! Double-sided option



Managers everywhere agree that if you share important information with production staff, B overall productivity, morale and efficiency will improve.

Well, here 's an economical way to help you achieve these benefits. Our Grand Intuitive displays are perfect for use in clean, indoor environments, and have a simple, elegant mechanical design. They accept most industrial sensors, and connect easily to PLC 's, central computers, etc.

You can adjust all settings using either the internal or remote pushbuttons, which activate the menu-free patent- pending 'INTUITIVE ' setup system. You can see which parameter you are changing with the LED annunciator lamps on the front panel, which also indicate the alarm relay status.

Typical applications:-

- Display temperature and humidity in controlled manufacturing environments. (Pharmaceutical, food processing, electronic manufacturing, QA laboratories etc.)
- Display load or weight during filling operations. (Powders, aggregates, liquids handling etc.)
- Display manufacturing rates, and the total items produced per production line. (Paper and board factories, canning and bottling plants, plastics mouldings etc.)
- Display machine run-time, or time left until next maintenance due. (Maintenance management of gas turbines, backup generators, presses etc.)
- Display generator voltage or frequency. (Standby generators, remote site power supply etc.)

**Viewing Distances... 57mm = 20 metres
102mm = 40 metres**

If you need larger digits, ultrabright displays or IP65 sealing, please take a look at our 1700 Series.

Compare the benefits of the Grand-Intuitive range to other manufacturers ' Large Displays, and you'll see that the argument for using the Grand-Intuitive range is clear.....

Competitive Pricing

Attractive Styling

Simple remote configuration

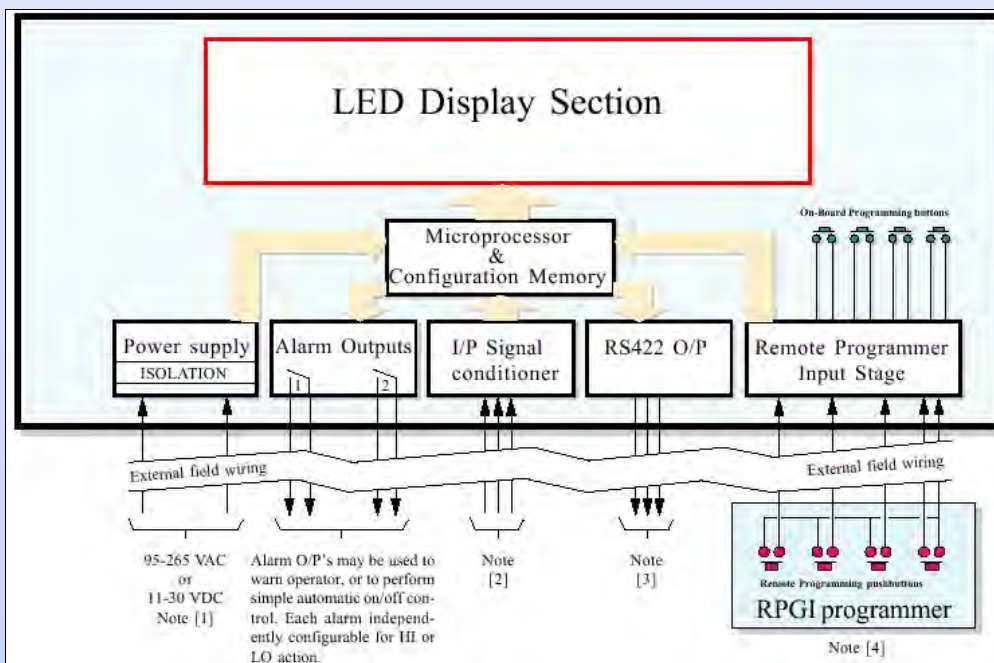
Economical Large Digital displays -Grand-Intuitive Range



Model	Input/Display Ranges	Accuracy	Features
PGI5-X Process Display	4-20mA, 0-10V, 1-5V, 0-10mA Fully bipolar input/display. Display range max 0-99990 Last digit selectable to count by 1,2,5,10,20 or 50. Max. resolution 1 part in +/-30 000	0.05% of range Span tempco +/- 50 ppm/°C Zero tempco +/- 50 ppm/°C Excitation voltage +/-15%	Drift cancelling algorithm compensates for sensor and indicator drift. Remote Tare. Remote calibration and setup. 2 Alarm relays. 24V DC output, rated at 60 mA, designed for 2 wire transmitter excitation. RS422 serial data output.
SGI-N-X Serial Data Remote display	RS232, RS422, RS485, TTY 300, 600, 1200,2400, 9600 baud	No errors -display follows received ASCII data.	User-configurable editing of incoming data, to reject unwanted string contents and display desired contents -ideal for unusual protocols.
TGI-N-X Counter Display	NPN, PNP, contact, TTL <30Khz. Max.6 character display capacity from -9999 to 99999 on the 5 digit model,-999999 to 999999 on the 7 digit model	For whole number scale factors, no errors. For scale factors requiring greater than 6 digits, error depends on difference between ideal and achievable scale factor.	Non-Volatile memory of accumulated total. Fully adjustable multiplying or dividing scale factor, with selectable decimal point position. 2 Alarm relays. RS422 serial data output. Remote contact closure zero.
FGI5-X Frequency /Rate display	NPN, PNP, contact, TTL < 30 Khz. 5 digit display capacity. May be configured to read Hz, pulses per hour, per day etc.	Quartz crystal controlled. 20 ppm /deg.C stability 0.01% of range at 25 deg.C Fully scaleable	Fully adjustable digitally set scale Factor .Averaging is adjustable over a wide range of times to smooth out fluctuations in input frequency.

See over for ordering guide. The 'X' and 'N' characters are variables, which you select when ordering. The 'X' determines digit height. For the Totaliser and Serial remote display versions, the 'N' determines the number of digits available..

Grand Intuitive -Internal Block diagram...



Note [1] 95-265 VAC power is available as standard. You may order 11-30VDC power as an option, generally on slightly longer lead times.

Note [2] For Process and Pulse input types we provide an excitation voltage to power remote sensing devices such as 2 wire Transmitters, proximity sensors etc.. For ASCII input types, you can select RS232, RS485, RS422 or 20mA TTY types with jumper switches.

Note [3] Fixed 1200 baud continuous transmission, RS422, representing the displayed value in ASCII format. No serial data output is available on the Serial Data Input model SGIXX

Note [4] You can purchase the RPGI separately as an accessory, to remotely adjust scaling, alarm setting, filtering etc. You can do initial on-bench commissioning prior to installation using the on-board pushbuttons located behind the front lens of the display. External field wiring External field wiring

Economical Large Digital displays -Grand-Intuitive Range

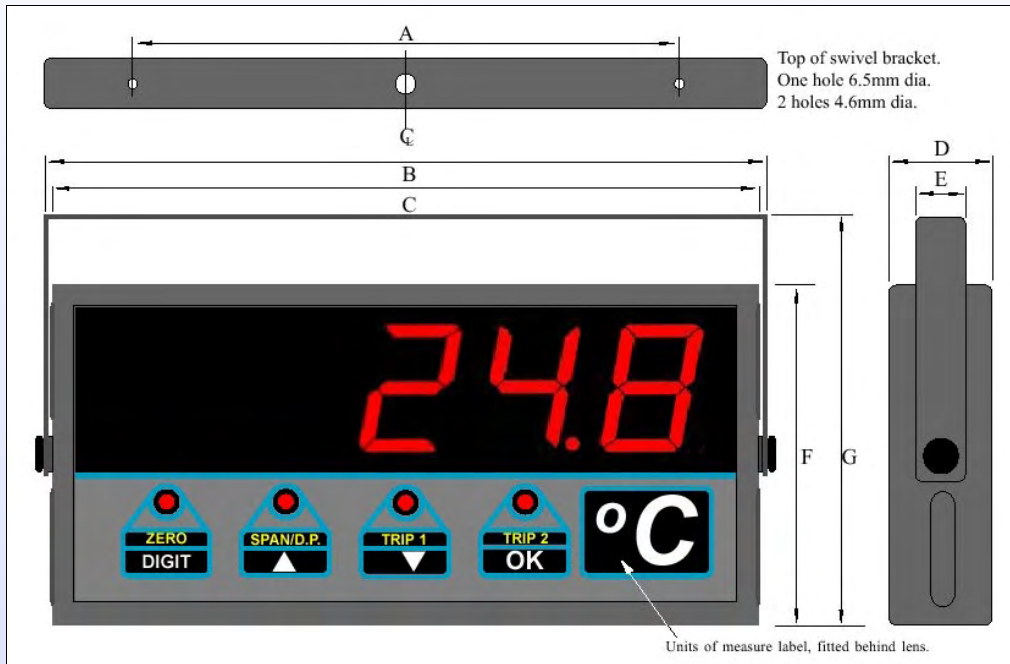


Dimensions and Weights (all dimensions in mm) NB! Subject to change -please ask for up-to-date details to avoid disappointment.

Digit Height	No. of Digits	A	B	C	D	E	F	G	Weight
57 mm / 2 "	5	120	295	285	55	40	145	170	1.4 Kg
57mm / 2 "	7	160	395	385	55	40	145	170	1.9 Kg
102mm / 4 "	5	220	502	492	55	40	192	215	2.8 Kg
102mm / 4 "	7	279	638	628	55	40	192	215	3.7 Kg

You can wall mount using the swivel bracket provided, or mount directly on the wall using 2 keyholes on the rear case plate. You can route cables via the top, bottom or rear of the case.

7 digit displays only available on TGIXX (totalisers) and SGIXX (Serial remote displays).



Additional Specifications

Standard power supply:-	AC Power, range 95-265 VAC 50-400 Hz.	Consumption 20 Watts. Max.
Optional power supply:-	DC Power, range 11-30 VDC	Consumption 20 Watts. Max.
Operating temperature range	0 to 50 degrees C	
Storage temperature range	-20 to +65 degrees C	
Operating humidity range	0-95% rh non condensing	
Sealing quality	IP54	
Case material	Mild steel, phosphated and powder coated. Lens =polycarbonate	
Alarm relays	2 relays, each rated 5 Amperes, 250 VAC. Selectable normally open or normally closed.	
	Selectable HI or LO alarm.Hysteresis fully adjustable.	

Ordering Guide:-

- 1) Choose a model from the previous page, and choose a digit height. Replace the X with your chosen digit height, 2 =57mm (2 "), 4 =102mm (4 ")
- 2) For the Serial Input and totaliser models, replace the N with the number of digits required, either 5 or 7 .
- 3) Next, choose case colour, either G =Charcoal Grey (Standard), W =White or B =Black. Other colours available on request.
- 4) Choose a power supply voltage, either 95-265 VAC or 11-30 VDC
- 5) If you wish to configure the display remotely, add suffix RPGI for the remote programmer
- 6) For Stainless Steel enclosure, add suffix SSE

Example...For a 4-20mA input large display with 102mm digit height, with Grey Case and 95-265 VAC supply and remote programmer, specify part number PG154-G-95-265-RPGI

If you tell us the scaling you require, and the units of measure, we will pre-calibrate and label your display for you free of charge prior to despatch.