

# 805U

## Installation Guide



UK / Europe Office  
 Tel: +44 (0)8700 434040  
 Fax: +44 (0)8700 434045  
[info@omniinstruments.co.uk](mailto:info@omniinstruments.co.uk)  
[www.omniinstruments.co.uk](http://www.omniinstruments.co.uk)

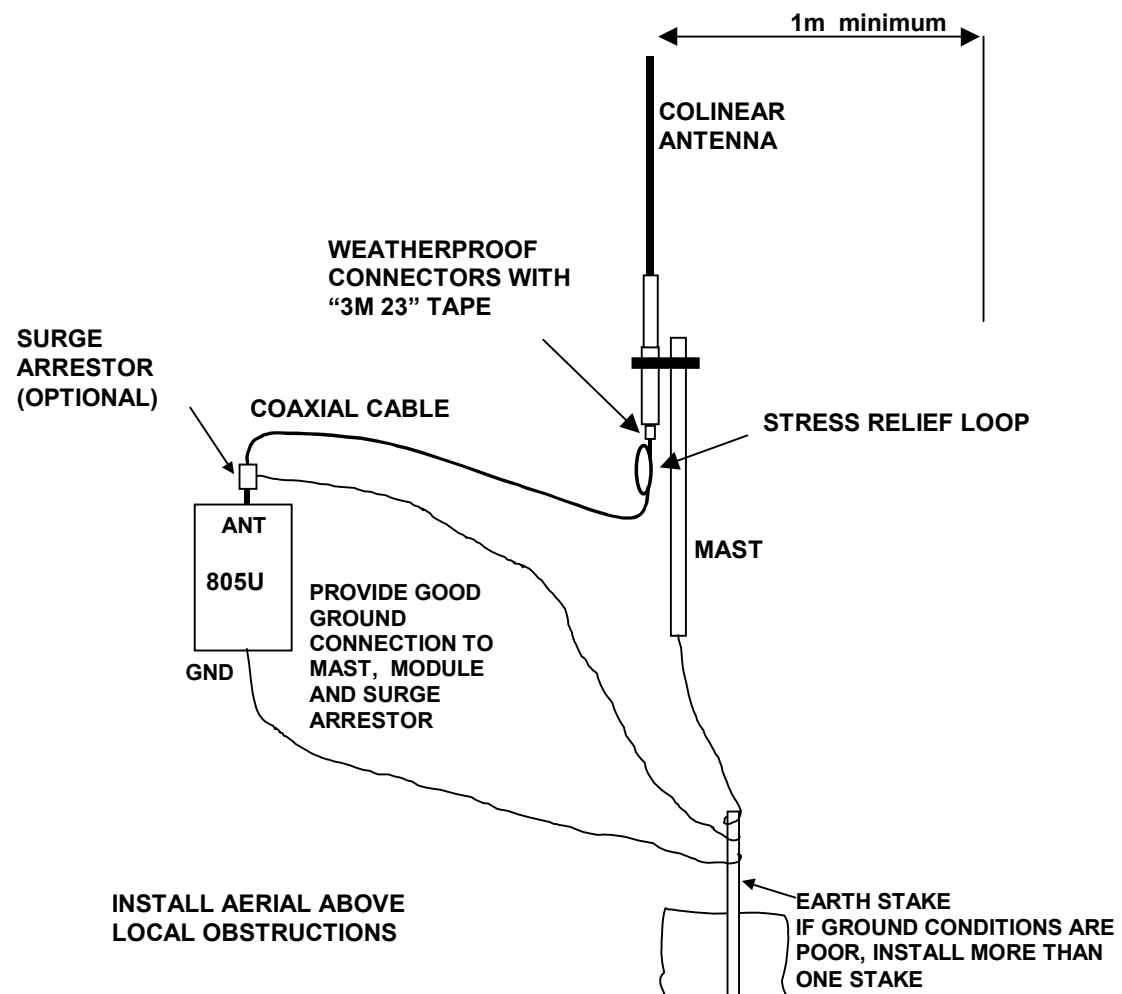
Australia / Asia Pacific Office  
 Tel +61 (0)282 442 363  
 Fax +61 (0)294 751 278  
[info@omniinstruments.com.au](mailto:info@omniinstruments.com.au)  
[www.omniinstruments.com.au](http://www.omniinstruments.com.au)

USA / Canada Office  
 Tel +1-866-849-3441  
 Fax +1-866-628-8055  
[info@omniinstruments.net](mailto:info@omniinstruments.net)  
[www.omniinstruments.net](http://www.omniinstruments.net)

### Statutory Requirements

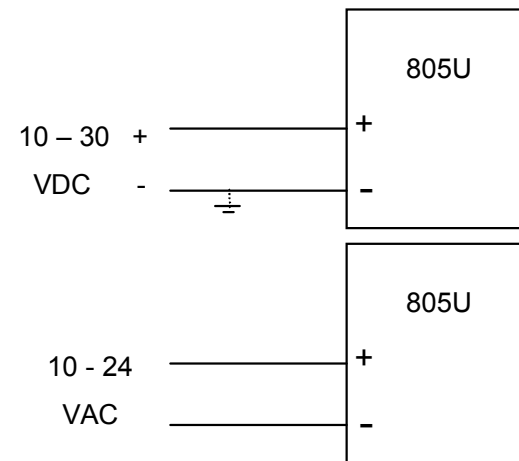
Unlicensed operation limits the radio power. High gain aerials may only be used to compensate for cable losses. Systems should be designed for a duty factor of less than 10% to comply with licence-free regulations.

### Antenna Installation

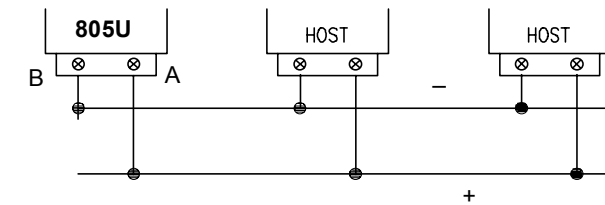


### 805U Wiring

Power supply 10 – 30 VDC / 10 – 24 VAC

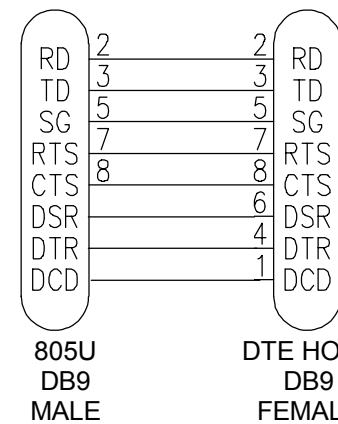


### RS485 Connection



### RS232 Connections

PC's



PLC's, Dataloggers

