

FT8511 Serial

Magnetostrictive system



Introduction:

Alternative design and manufacture techniques contribute to the following features:

- Electronics tested through -40 to +70 deg c for stability and reliability
- Free calibration software
- Competitively priced interphase modem.
- High accuracy at an affordable price.
- Patent pending design format that allows oems to sub assemble in different parts of the world.
- Extensive and stringent QA test procedures
- Will work on plastic, lined metal tanks or metal tanks
- No need to worry about dielectrics or conductivity changes

Test Equipment Required :

- Unit is precalibrated
- If alternative calibration required then the UFI software and modem
- If there is a line fault a multimeter will be required

Basic Package :

- Industrial 316 st/st housing
- High Accuracy
- Pre-calibrated standard
- Temperature <100 deg c
o <400 deg c pending
- 2 wire 24v dc / 4-20Ma
- Measures to process seal no more large upper/lower dead zone
- Options metal or Plastic wetted parts

Some Typical applications :

- High value measurements
Expensive cleaning fluids
Chemical addition products
Refrigeration liquids monitoring
- Small Spans 100mm
- Process tank leakage detection
- Variable chemical reagents
- Water & wastewater
- Suitable for Side Arms
- Can ignore foam and read liquid level only.
- Suitable for High process pressure applications.
High Temperature version undergoing factory testing and is pending release.

Specification

Range : 0~6m ,

Power supply : 9~24VDC

Output : two wire 4~20mA ,

UFI Protocol with Hart Pending Load resistance : 650

Accuracy : 0.025%FS or 1.5mm at any point over the range

Resolution : 0.016%FS or 1mm

Repeatability : 0.025%FS or 1.5mm

Dead Zone : 1/2 float height

Sensor material : 316L

Explosion-proof mark : Exia II BT5

Protection code : IP67

Process temperature : -40~+100 (Higher temperature pending)

Ambient temperature : -40~+70

Nominal process pressure : 0.1 ~ 10MPa

Short Check List

The chart below will assist in covering some questions that may need to be considered.

Consideration	Competitor 1 Tick Yes	UFI Magneto Tick Yes	Notes
Temp range of Process		<100 deg c	
Pressure where installed		_____ Kpa	
Liquid none coating If liquid leaves a coating pl consult factory			
Density of product		_____sg to _____sg	
Dielectric and conductivity change		NA: does not impact on device	
Accuracy required for installation of span		<1,5mm at any point of reading	
Repeatability		0,8mm	
Will vapors impact on reading		No	
Is Vibration present on Tank		If excessive pl consult with factory	
Is there a stirrer in the vessel		Please check and factory will confirm solution	
Hygienic or food grade requirement		Consult factory	
Process Connection			
4-20ma / 24 volt DC two wire device		Yes	
Local Display standard		No : Option available	
Is the area explosion proof or need other government laws be complied with			Consult factory
Is housing StlSt as Standard		Yes :	
Is foam present			Normally will no be affect by foam
Active Probe Length required		_____ (m or other)	
Calibrated Span required		If required on site UFI modem & software required	
Is Vessel Plastic / Glass Lined or other			Consult factory
Are highly Skilled Technicians required to install		No	Some countries have laws governing who may install a device on the process. Safety requirements and permission to install varies from plant to plant - check with client prior to installation
Installation and commissioning manual reviewed			Advisable prior to purchase
Part Number			
Price			

Selection

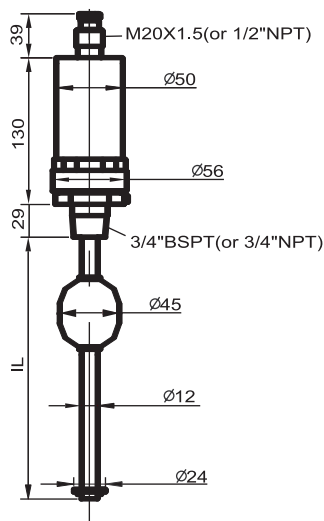
• FT8511

- Approval /Power supply
 - 1 CMC 24VDC 4 PCEC 24VDC 7 CE 24VDC 9 UL 24VDC C ATEX 24VDC E FM 24VDC
- Float quantity
 - 1 single 2 twin
- Process Temp.
 - 0 : standard 1 : high temp. 2 : standard with single temp. output
 - 3 : high temp., with single temp. output 4 : Standard, with multiple temp., output
- Output
 - 0: single 4 ~ 20mA,HART 1:single 4 ~ 20mA,RS485
 - 2: double 4 ~ 20mA,HART 3: double 4 ~ 20mA,RS485
- Housing/cable
 - 1 Integral
- Housing/cable
 - 40 standard *41 standard twin floats 42 High temp.
 - 43 standard cable *44 Twin floats cable

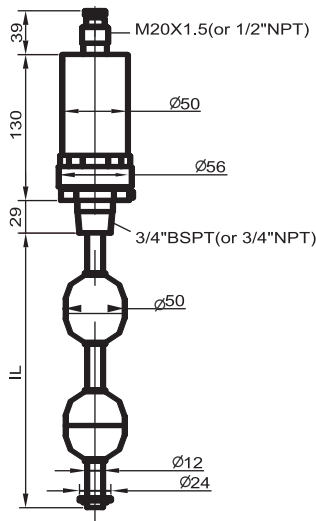
(*: consult factory)

FT8511	-X	X	X	X	-X	XX
--------	----	---	---	---	----	----

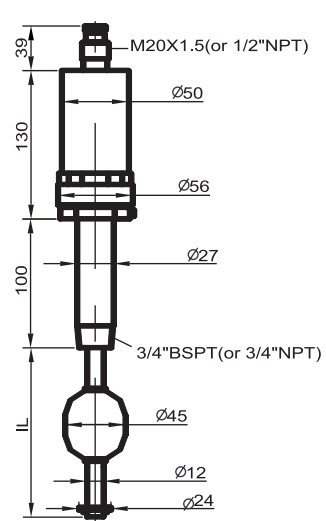
Dimension



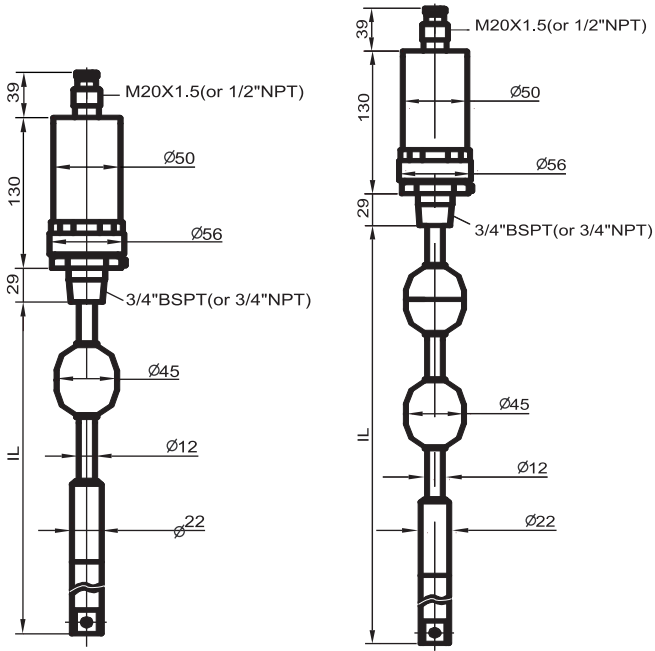
FT8511-XXXX-140



FT8511-XXXX-141



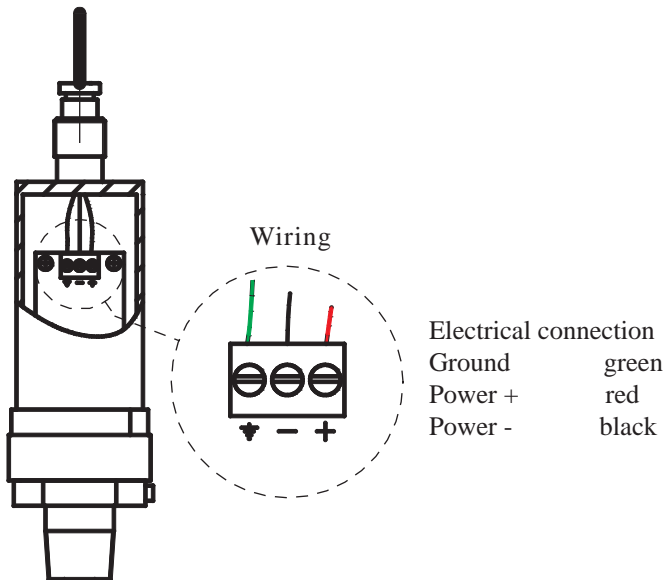
FT8511-XXXX-142



FT8511-XXXX-143

FT8511-XXXX-144

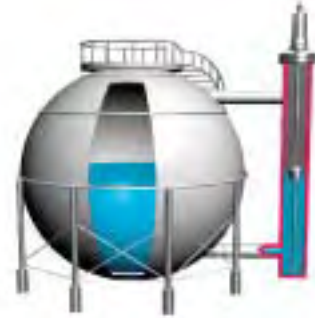
Wiring



Installation requirements

1. Choose 3/4" BSPT (NPT) installation while float must be installed after the probe be installed in the vessel
2. Choose flange (over 2") or 1-1/2" BSPT (NPT) installation while the float and the sensor are directly installed together into the vessel

Typical Installation



Stilling well mounting



Domeroof mounting



Horizontal mounting