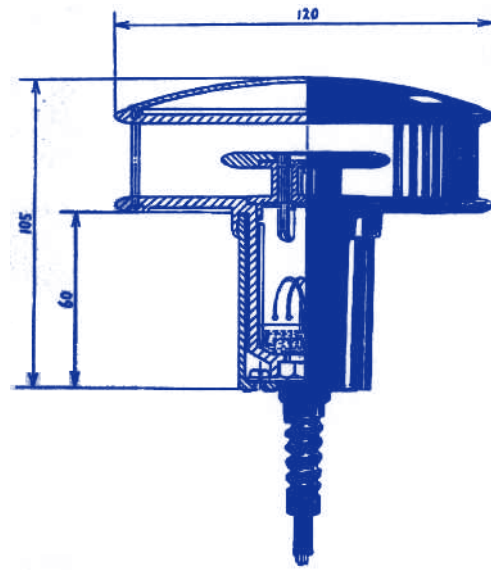


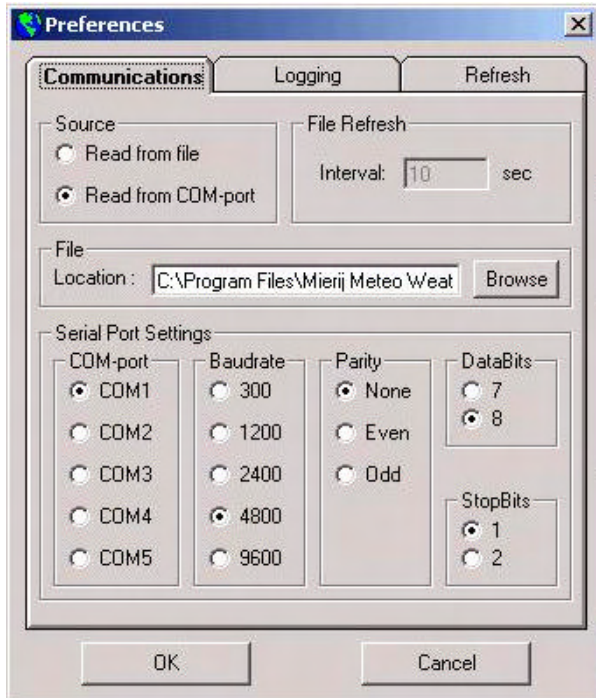
# MMW Wind Sensor Connections

## Connections

Direct connection to PC – 9 Pin D	Wire colour	Type
Pin 2	Green	TX
Pin 3	Yellow	RX
Pin 5	Brown	Sig/ground
	White	+12v DC
Direct connection to Elpro 805	Wire colour	Type
Pin 2	Yellow	RX
Pin 3	Green	TX
Pin 5	Brown	Sig/ground
	White	+12v DC



MMW Windsensor



To set communications:

- 1) Select comm port
- 2) Set baud rate to 4800
- 3) Set parity to None
- 4) Set DataBits to 8
- 5) Set StopBits to 1